

Egg Station with Dual Zone | ESDZ



QUICKLY SERVE FRESH MADE-TO-ORDER EGGS

The Egg Station with Dual Zone (ESDZ-1200) features two independent cooking areas allowing you to quickly prepare fresh eggs throughout the day.

The ESDZ-1200 has a heated, machined grill surface to cook the eggs while the non-stick rings give the product its shape. Steam is created under the pivoting cover that is lowered over the rings. As water is poured into the troughs on the cover, it drips down onto the platen, which produces steam to keep the eggs moist as they cook.



Independent Temperature Control

Independent heating element with temperature control for the front and rear areas.



Pre-programmed Cook Times

Timer features two channels that each include four pre-programmed cook times to handle a variety of different products.



Small Footprint

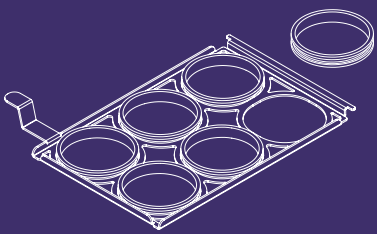
Small footprint to easily fit into any operation.

**Serve perfectly cooked eggs made-to-order
from the smallest footprint in your kitchen.**

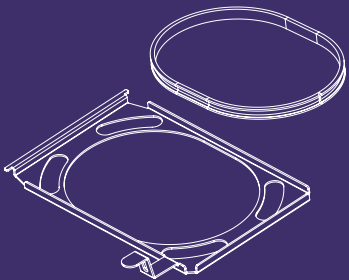
ESDZ-1200 Egg Station with Dual Zone



COOKING TIMES



Six 3-inch Round Eggs
Room temperature - 120 seconds
Refrigerated - 150 seconds

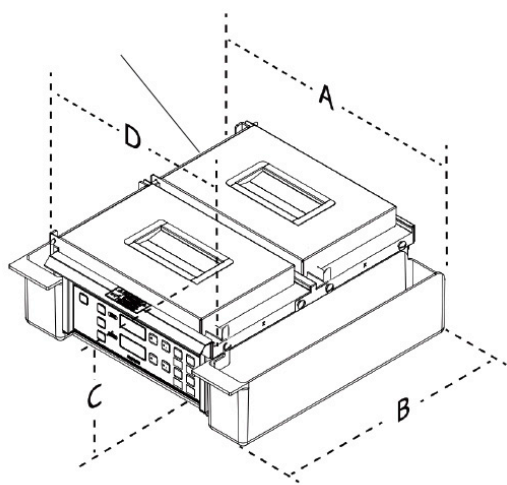


One 8-inch Omelet
Room temperature - 120 seconds
Refrigerated - 150 seconds



ESDZ-1200 Egg Station with Dual Zone

Egg Station with Dual Zone | ESDZ



Features:

- Our Dual Zone grill allows for cooking eggs to order.
- Timer includes eight programmable cook times for a variety of products.
- Quickly cook up to 12 eggs without taking up valuable grill space.
- Machined grill surface for ease of cleaning.
- Four adjustable legs for an even grill surface.
- Audio/visual signal for operation.



ESDZ

Electrical Ratings

Dimensions

Model & Mfg. No.	Capacity	Approvals	Plug	Cover Hinge	Volts	Watts	Amps	Hz.	Width	Depth	Height	Shipping Weight
ESDZ-1200 9300633	Twelve 3" (76.2 mm) egg rings		NEMA L6-20P	Left Side	200-240~	3000	12.5-15	50/60	18" (457 mm)	18 29/32" (480 mm)	8 15/16" (227 mm)	48 lbs. (21.8 kg)
ESDZ-1200 9300636	Twelve 3" (76.2 mm) egg rings		IEC-309	Left Side	200-240~	3000	12.5-15	50/60	18" (457 mm)	18 29/32" (480 mm)	8 15/16" (227 mm)	48 lbs. (21.8 kg)
ESDZ-1200 9300709	Twelve 3" (76.2 mm) egg rings		BS-1363	Left Side	200-240~	3000	12.5-15	50/60	18" (457 mm)	18 29/32" (480 mm)	8 15/16" (227 mm)	48 lbs. (21.8 kg)

Dimensions are for item without shipping box. Shipping weight includes item and shipping box. Items highlighted in blue are for international markets.