

SOMERSET

CDR-2000

Front Operated Dough Roller OPERATIONS MANUAL



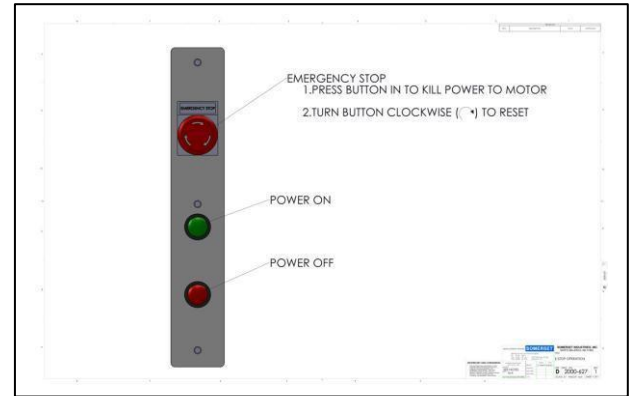
WARNING!!! DO NOT CLEAN OR SERVICE THE MACHINE WITHOUT PRESSING THE RED BUTTON AND UNPLUGGING THE ELECTRICAL CORD FROM THE POWER SUPPLY. KEEP YOUR FINGERS AND HANDS FROM THE ROLLER AREA WHEN OPERATING OR SERVICING THE MACHINE. DO NOT OPERATE THE MACHINE WITHOUT THE GUARDS IN PLACE. IF THE MACHINE KEEPS RUNNING WITH SAFETY GUARDS REMOVED, IMMEDIATELY PRESS THE STOP BUTTON AND REMOVE THE PLUG FROM THE POWER SOURCE. CALL THE FACTORY OR A QUALIFIED SERVICE REPRESENTATIVE. DO NOT ATTEMPT TO OPERATE THE MACHINE UNTIL PERMITTED BY THE SERVICE TECHNICIAN.

SOMERSET INDUSTRIES

137 PHOENIX AVE • LOWELL, MA 01852 • USA •
+1-978-667-3355 Email: somerset@smrset.com
Web: www.smrset.com

MACHINE INSTALLATION

Cut off the Fastener wrapped around the machine and the base. Lift the machine straight up out of the wooden base. Install the machine in its final position or temporarily secure it to a solid surface. Wipe off any dirt that may have accumulated during shipping. (Use a soft cloth) Check the nameplate for correct voltage and frequency. Plug the machine to the proper power source that matches the nameplate requirements.



For the machine to operate verify:

1. All scrapers are installed & secured properly.
2. The safety cover is closed & secured with two thumbscrews.
3. The emergency stop (E-Stop) is in **RESET**. (Turn clockwise to verify)

Press the green button (start) switch and the machine will start.

MACHINE SET UP

The thickness of the final product is determined by the gap between the rollers. Machines leaving the factory are adjusted as follows:

- The top roll dial is aligned with the number 4.**
- The bottom roll dial is aligned with the number 2.**



If these numbers are not correct or your product requires other adjustments, please make adjustments as follows:

- **Loosen the bottom clamping knob**
- **Move the handle such that the dial points close to your desired line.**
- **Tighten the clamping knob**

You may adjust both handles in any direction to produce the final product thickness you require. Please note that the dial numbers are for reference only. With very little practice, the rollers can be adjusted so that a perfectly round piece of dough can be made with no waste.

Make sure the safety cover is closed and secured by the two thumbscrews when operating the machine.

!! Machine will not operate when safety cover is open or not secure !!
!! Check that Emergency Stop is not pressed in !!

DOUGH PREPARATION

For best results, the dough to be rolled should be at room temperature.

The size and shape of the dough ball affects the size and shape of the finished crust. For round crusts, take a round piece of dough and flatten it slightly.

Dust the dough pieces with flour before putting them in the machine.

OPERATING PROCEDURE

The dough comes through the first pair of rollers, oblong in shape, and from the second set of rollers round in shape.

The rollers are easily adjustable to any thickness of pizza dough or crust you may need.

For example, if making a 10" diameter of dough, set the top roller adjustment so that the dough comes out 10" long, and set the bottom roller adjustment so that it stretches to 10" in the other direction. The machine has the most success by setting the dough thickness on the handles using a 2 to 1 ratio of the top and bottom roll settings. This set up will give you the most success for getting a perfectly round piece of dough

If dough does not slide easily on the discharge trays, dust the trays with flour.

If the dough tears or the machine makes a thumping sound, this indicates that the dough is too thick to go through that particular setting of the rollers, which means your roller adjustment has to be opened more, or the dough is too cold and stiff and may require a longer rest period before use.

OPERATION



LOAD THE DOUGH INTO THE CHUTE



The dough is rolled through the first set of rollers, turn the elongated piece of dough ¼ of a turn, and at the same time push it back to wards the second set of rollers.



The rounded piece of dough comes out on the discharge tray.

!!WARNING!!

Never operate the machine without the guards, safety cover, or scrapers in place!

Keep your hands and fingers away from the chute!

Never force the dough down into the chute with your hands!

!!WARNING!!

TIP: If your application requires an elongated piece of dough, Do not rotate the dough for the second pass.

!!WARNING!!

- Never operate the machine without the guards, safety cover, or scrapers in place!
- Keep your hands and fingers away from the chute!
- Never force the dough down into the chute with your hands!
- If the dough gets stuck:
 1. Press the red switch to stop the machine.
 2. Open the safety cover.
 3. Remove the dough
- Use the EMERGENCY STOP (E-STOP) only for emergencies
- Never use oil or grease on any of the mechanical parts of the machine

!!WARNING!!

CLEANING

- After all the Scrapers are removed:
 1. Clean the rolls with a clean cloth
 - DO NOT USE WATER WITH THE CLOTH
 - APPLY A THIN FILM OF COOKING OIL WITH A CLOTH
 2. Brush or wipe the sides of the machine and the trays
 3. Clean all the scrapers and verify they are not worn
 4. All beveled edges should be smooth and not knicked.
 5. Install the scrapers in the opposite order of removal.
 6. Close the safety cover and secure it with the two thumb screws.
 7. Press the green start switch when the machine is ready to use.
 - ◆ Equipment food-contact surfaces should be clean to sight and touch.
 - ◆ Equipment food-contact surfaces should be sanitized.

!! CAUTION !!

**THIS MACHINE IS MAINTENANCE FREE.
NEVER USE OIL OR GREASE ON ANY OF THE MECHANICAL PARTS OF
THE MACHINE.
ALL MECHANICAL PARTS ARE PERMANENT SELF LUBRICATED.**

Removing & Installing scrapers

!! CAUTION !!

DISCONNECT THE POWER CORD OF THE MACHINE BEFORE

Open the safety cover by loosening the two thumb screws.



All scrapers are readily removable.

Scraper # 1



#1 is located behind the rollers in the back of the machine.

This scraper should sit on top of the scraper pins and point between the middle and bottom rolls.

When springs are latched, the beveled side of the scraper will push up against the middle roll.

Scraper # 2 & 3



#2 & #3 attach to one another. The #2 scraper lies on top of the scraper pins and the beveled edge pushes towards the top roll.

The springs from the #2 scraper attach to the #3 scraper forcing the slots in the shaft to go inside the scraper pins. The #3 beveled edge pushes against the middle roll and acts as a guard also.

Scraper # 4



#4 is located under the discharge tray and presses up against the bottom roll.

The slots on the scraper rest on top of the scraper pins pushing the plastic blade against the bottom roll. The springs latch onto the slotted pins under the scraper pins.

Quick Tips & Troubleshooting

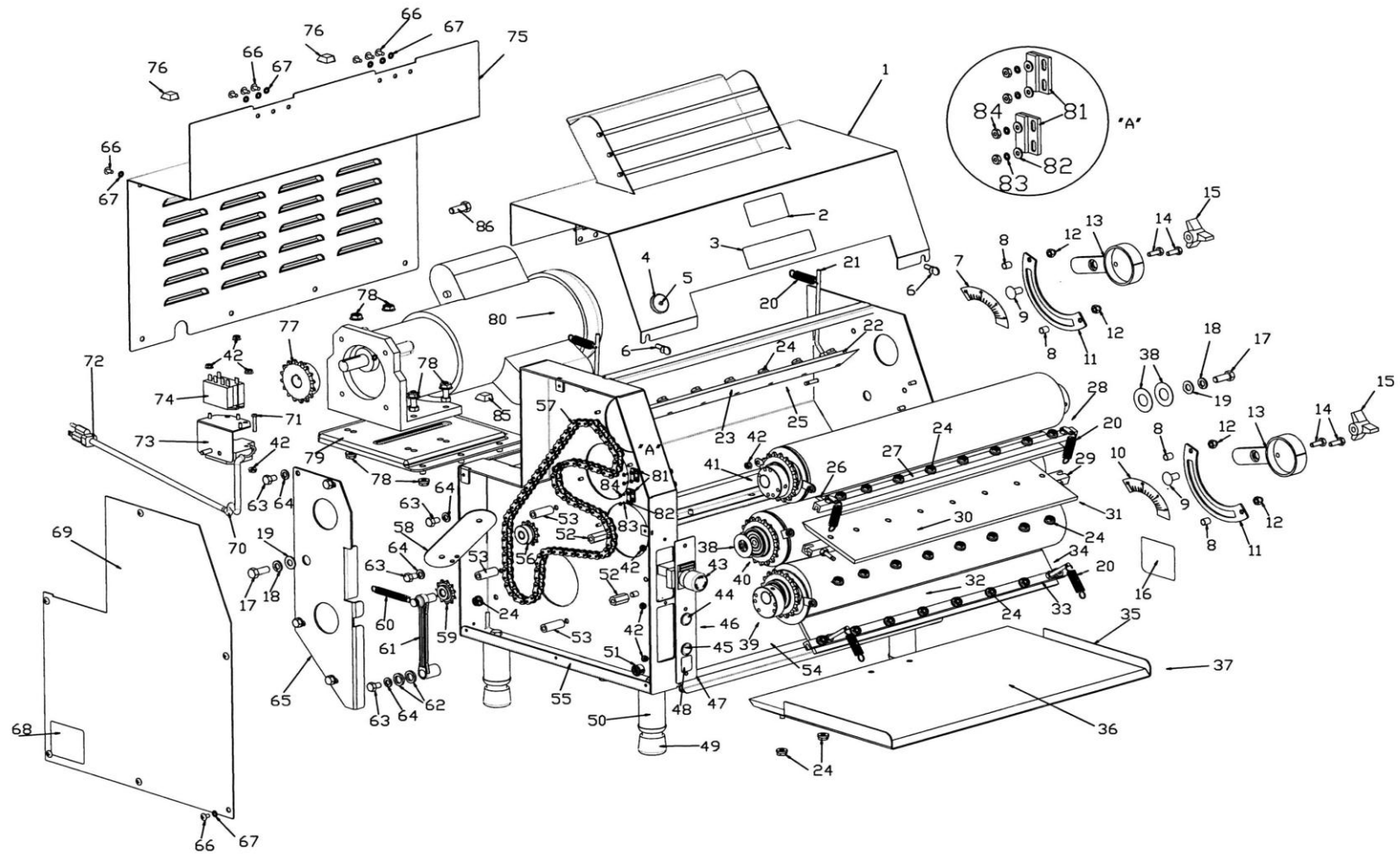
- Never use the emergency stop as an on and off switch. The emergency stop is to be used only in emergency situations.
- Clean the rolls with a dry cloth. (NEVER USE WATER)
- Install the scrapers in the opposite order of their removal.
- Close the safety cover and secure it with the 2 thumb screws.
- Turn the power ON, and the machine is ready to use.
- If the machine does not start:
 1. Check if the AC Power is available
 2. Is the plug connected?
 3. Make sure the cover is down securely
 4. All scrapers are installed properly

If rolls ever start to squeal due to dryness, remove and clean the scraper blades thoroughly and rub the beveled edge with cooking oil, like vegetable or canola. This technique will remove the squealing sound you get from friction between the roller and the dry scraper.

!! CAUTION !!

**THIS MACHINE IS MAINTENANCE FREE.
NEVER USE OIL OR GREASE ON ANY OF THE MECHANICAL PARTS OF
THE MACHINE.
ALL MECHANICAL PARTS ARE PERMANENT SELF LUBRICATED.**

CDR-2000 EXPLODED DIAGRAM



ITEM NO.	PART NUMBER	DESCRIPTION	QTY.	ITEM NO.	PART NUMBER	DESCRIPTION	QTY.	ITEM NO.	PART NUMBER	DESCRIPTION	QTY.
1	2000-120	COVER,SAFETY ASSY	1	32	2000-513	SCRAPER #4	1	63	3000-405	SCREW, HEXHD	7
2	5000-313	LABEL, "KEEP FINGERS..."	1	33	2000-523	SHAFT SCRAPER #4	1	64	3000-102	WASHER, LOCK SPLIT	10
3	5000-312	LABEL, "SOMERSET"	1	34	2000-503	SCRAPER, COMPLETE #4	1	65	2000-231	ECCENTRIC PLATE	1
4	4000-150	MAGNET	1	35	2000-300	TRAY, INTAKE	1	66	3000-402	SCREW	19
5	3010-500	RIVET	1	36	2000-304	BOARD, INTAKE	1	67	3000-101	WASHER LOCK	19
6	3000-403	SCREW, THUMB	2	37	2000-600	TRAY, INTAKE ASSY	1	68	5000-311	LABEL, ELECTRICAL	1
7	5000-315	LABEL, TOP	1	38	3000-225	WASHER	3	69	2000-302	COVER, HOUSING	1
8	2000-418	SPACER TUBING	4	39	2000-401	ROLL ASM LOWER	1	70	5000-276	BUSHING	1
9	3000-408	BOLT, CARRIAGE	2	40	2000-402	ROLL,ASM MIDDLE	1	71	3000-416	SCREW	1
10	5000-316	LABEL, BOTTOM	1	41	2000-400	ROLL ASM UPPER	1	72	5000-230	HARNES	1
11	2000-417	PLATE, ADJUST	2	42	3000-300	NUT, FLANGE	13	73	2000-328	BRACKET, RELAY	1
12	3000-302	NUT, ACORN	4	43	5000-226	E-STOP	1	74	5000-150	RELAY 110 VAC	1
13	2000-423	HANDLE, ROLL ADJUST	2	44	5000-203	SWITCH POWER GREEN	1	74	5000-151	RELAY 220 VAC	1
14	3000-404	SCREW, HEXHD	4	45	5000-202	SWITCH POWER RED	1	75	2000-301	PANEL, LOUVERED	1
15	4000-400	KNOB, LOCKING	2	46	2000-627	SWITCH PLATE, ASSY	1	76	4000-301	BUMPER	2
16	5000-314	LABEL, "DO NOT OPERATE..."	1	47	2000-335	SWITCH PLATE	1	77	4000-502	SPROCKET W/ KEY	1
17	3000-409	SCREW, HEXHD SS	2	48	5000-317	LABEL, NSF	1	78	3000-305	NUT, FLANGE	13
18	3000-103	WASHER, LOCK SPLIT	2	49	4000-300	LEG TIP RUBBER	4	79	2000-019	BASE, MOTOR	1
19	3000-201	WASHER, FLAT	2	50	2000-415	LEG, ASM COMPLETE	4	80	5010-180	BASIC, GEARMOTOR W/BASE 115 VAC	1
20	4000-251	SPRING, SCRAPER	6	51	5000-278	BUSHING	2	80	5010-182	FAST, GEARMOTOR W/BASE 115 VAC	1
21	3010-150	STUD, SCRAPER	2	52	4000-233	SPACER, HEX 0.5 X 1.0	4	80	5010-280	BASIC, GEARMOTOR W/BASE 220 VAC	1
22	2000-520	SHAFT, SCRAPER #1	1	53	2000-431	SHAFT, IDLER	3	80	5010-282	FAST, GEARMOTOR W/BASE 220 VAC	1
23	2000-510	SCRAPER #1	1	54	2000-035	BOARD, DISCHARGE	1	81	5000-225	SENSOR	2
24	3000-303	NUT, FLANGE	40	55	2000-010	FRAME	1	82	3000-104	WASHER, FLAT	4
25	2000-500	SCRAPER COMPLETE #1	1	56	4000-521	SPROCKET	1	83	3000-204	WASHER, LOCK SPLIT	4
26	2000-511	SCRAPER #2	1	57	4000-361	CHAIN 41 RIV 86 INCL 1 C/L	1	84	3000-309	NUT	4
27	2000-521	SHAFT, SCRAPER #2	1	58	2000-230	PLATE, SUPPORT	1	85	4000-303	BUMPER	1
28	2000-501	SCRAPER,COMPLETE #2	1	59	2000-630	SPROCKET, IDLER	1	86	3000-406	SCREW, HEXHD	3
29	2000-522	SHAFT, SCRAPER #3	1	60	4000-252	SPRING, EXTENSION	1				
30	2000-512	SCRAPER #3	1	61	2000-428	ARM, IDLER	1				
31	2000-502	SCRAPER,COMPLETE #3	1	62	4000-011	PLASTIC WASHER	2				

CDR-2000