

# Operations Manual

DPR3000 - Dual Pass Dough Sheeter  
Model #: DPR3000



**PROLUXE**  
WWW.PROLUXE.COM

Version: 51719

## WARNINGS FOR OPERATOR



**CAUTION**  
**DO NOT OPERATE DOUGH ROLLER**  
**WITHOUT THE GUARDS IN PLACE**



**CAUTION**  
**DO NOT CLEAN THIS DOUGH ROLLER**  
**WHILE IT IS PLUGGED IN**



**CAUTION**  
**DO NOT USE SHARP OBJECTS**  
**TO CLEAN ANY PART OF THE MACHINE**



**CAUTION**  
**KEEP HANDS AND FINGERS**  
**CLEAR OF MOVING PARTS**



**CAUTION**  
**DO NOT PLACE ITEMS**  
**OTHER THAN DOUGH INTO THE CHUTE**



**CAUTION**  
**IN CASE OF POWER CORD DAMAGE,**  
**DO NOT ATTEMPT TO REPAIR**  
**OR REPLACE THE POWER CORD.**  
**CONTACT THE MANUFACTURER**  
**OR THE LOCAL DISTRIBUTOR**



**CAUTION**  
**DO NOT USE OIL OR GREASE**  
**ON MACHINE PARTS**  
**AS THEY DO NOT**  
**REQUIRE RE-LUBRICATION**

# DOUGHPRO™



## Take Your Pizza Production To The Next Level

### DPR3000 Two Pass Dough Sheeter



Every professional pizza kitchen must have the ProLuxe DPR3000 Dual Pass Dough Sheeter. This fully-mechanical, high-production piece flattens product in only two passes. The heavy duty stainless steel construction gives you confidence that your product will be perfect every time, and the maintenance free drive system improves your operation efficiency. The compact size fits just about anywhere. Great for operators who prefer sheeting dough versus pressing, the DPR3000 rolls all size pizzas up to and including 18" diameter.

#### Features

- High production.
- 2-pass operation.
- Thickness control.
- Easy to clean

In addition to the quality execution and unique customization capabilities, our expert technical support team supports the ProLuxe DPR3000. We are available 24 hours a day/7 days a week to answer any questions and provide you with great, no-debate service support.

**PROLUXE** ™

formerly DoughPro. New Name. Same Quality. Superior Service.

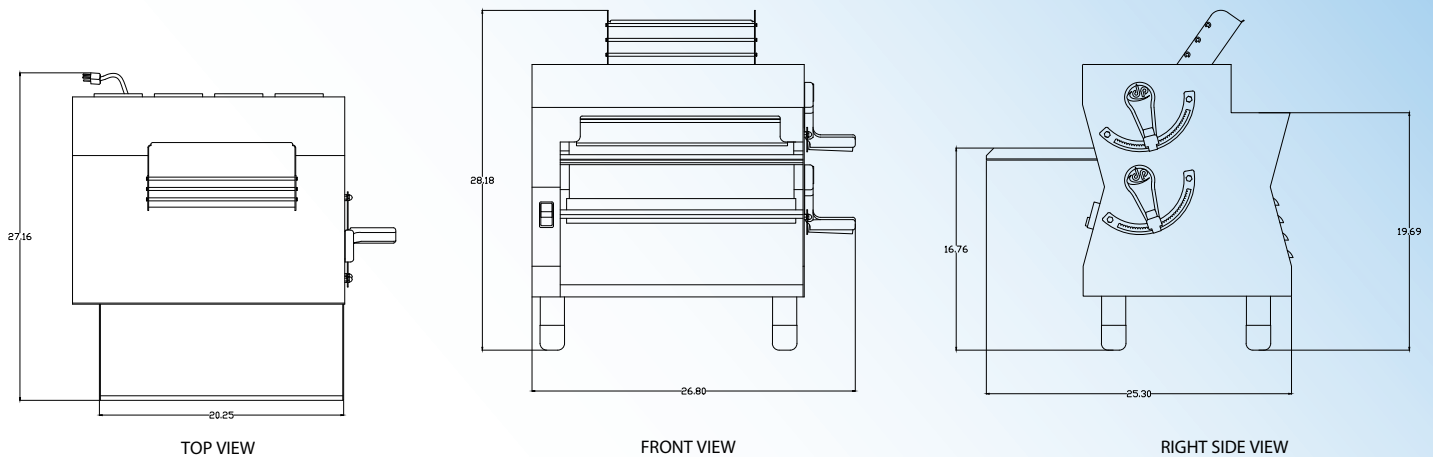
[proluxe.com](http://proluxe.com)

# DOUGHPRO™



## Take Your Pizza Production To The Next Level

### DPR3000 Two Pass Dough Sheeter



<b>ON/OFF Switch</b>	Yes	<b>Electrical Data</b>  DPR3000A - 115v/60hz 8.80 amps - NEMA 5-15P  DPR3000B - 240v/60hz 4.40 amps - NEMA 6-15P
<b>Rollers</b>	Synthetic or Stainless Steel	
<b>Bearings</b>	Sealed	
<b>Thickness Adjustment</b>	Yes	<b>Shipping Weight</b> 219lbs/99kg <b>Machine Weight</b> 180lbs/81kg
<b>Finish</b>	Stainless	
<b>Motor</b>	3/4 Hp	

Power cord length 72"

Listed:



**PROLUXE** 

20281 Harvill Ave | Perris, CA 92570  
 t: (951) 657-0379 | t: (800) 624-6717 | f: (951) 657-4594  
 w: www.proluxe.com | e: info@prolux.com

# **DOUGHPRO**<sup>®</sup>

STEARNS PRODUCT DEVELOPMENT CORPORATION  
20281 Harvill Ave, Perris, CA 92570 Tel: (800) 624-6717 - Fax: (951) 657-4594

## **HOW TO OPERATE THE DPR3000**

Once the doughballs have been pre-portioned & floured, place a small amount of flour in the hopper and on the receiving table. Next, place the doughball in the hopper.



Pass 1. The doughball will be partially flattened and semi oblong, rolling out on the floured receiving table.



Pass 2 is just like the first pass, but this time, turn the dough 90 degrees left or right, inserting it into the bottom rollers.



After the doughball is rolled out, place hands or receiving tray beneath the bottom chute. Lightly stretch dough to the desired size after placing it directly onto a pan, screen, or peel.





# DOUGHPRO<sup>®</sup>

STEARNS PRODUCT DEVELOPMENT CORPORATION  
20281 Harvill Ave, Perris, CA 92570 Tel: (800) 624-6717 - Fax: (951) 657-4594

## HOW TO CLEAN THE DPR3000

The unit should be unplugged before cleaning!

Loosen the screws to open the safety shield.



Detach the springs at each end.



Remove all scrapers.



# HOW TO CLEAN THE DPR3000 (CONTINUED)

Clean rollers, scrapers, tray, and machine housing with a damp cloth, then with a dry cloth.

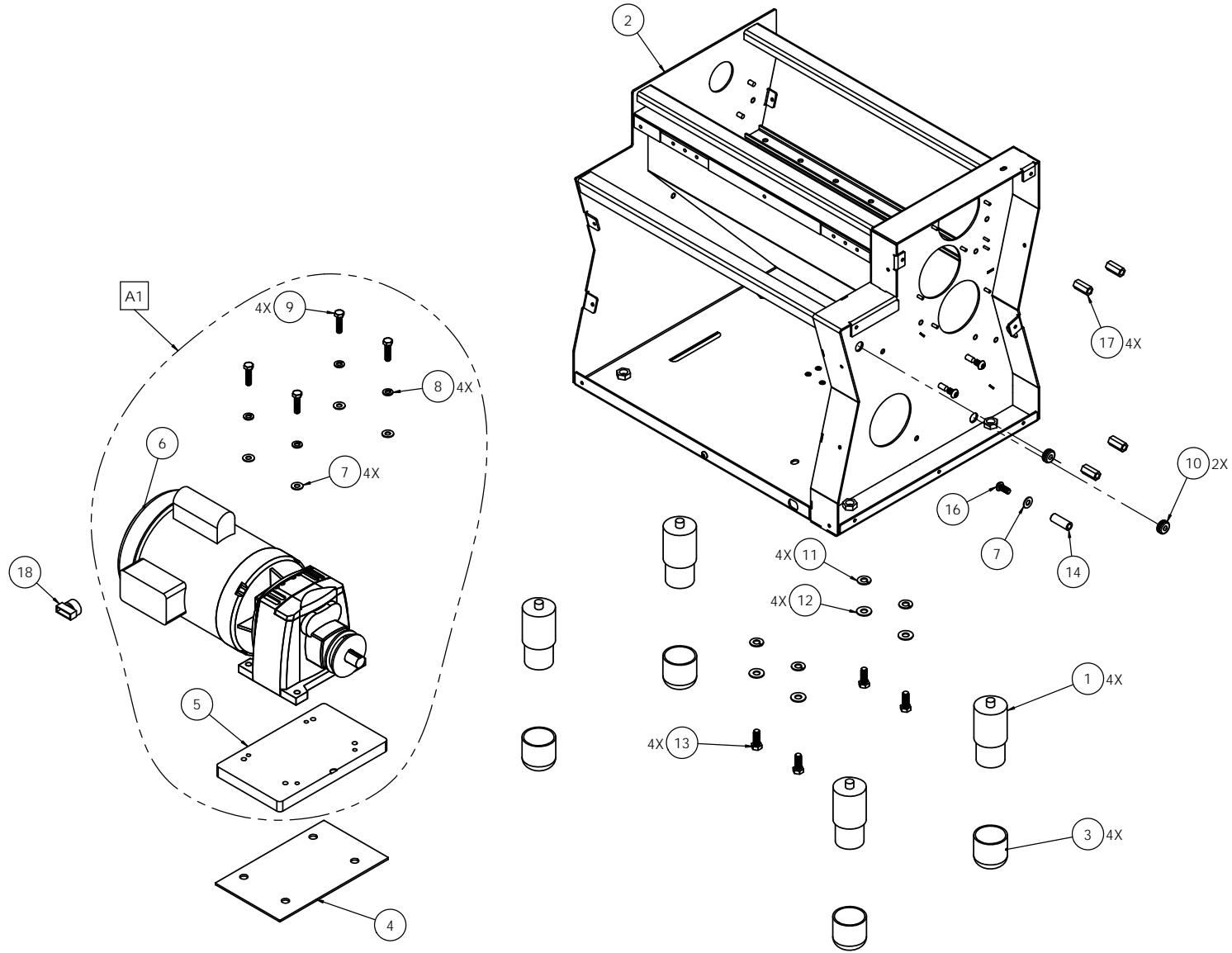


Re-attach the scrapers and springs.

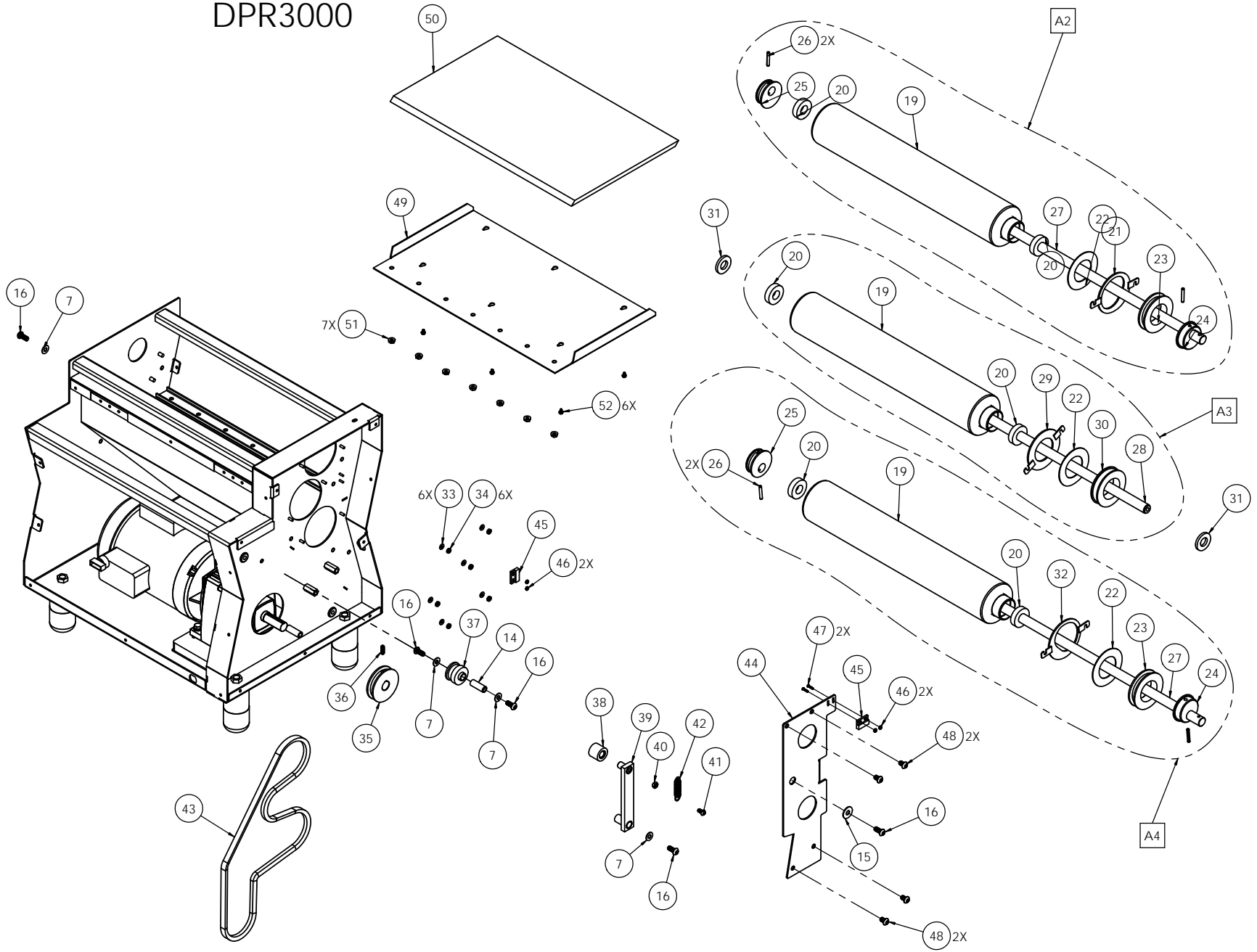


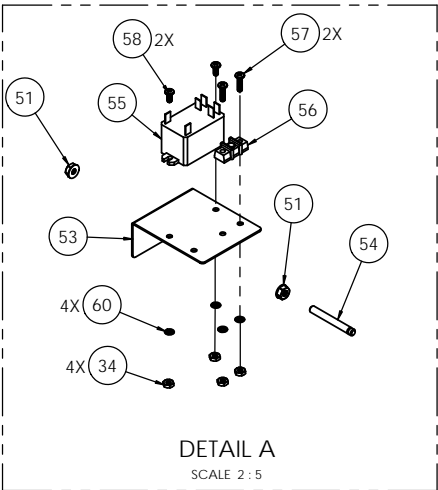
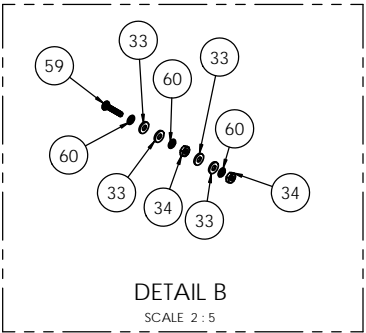
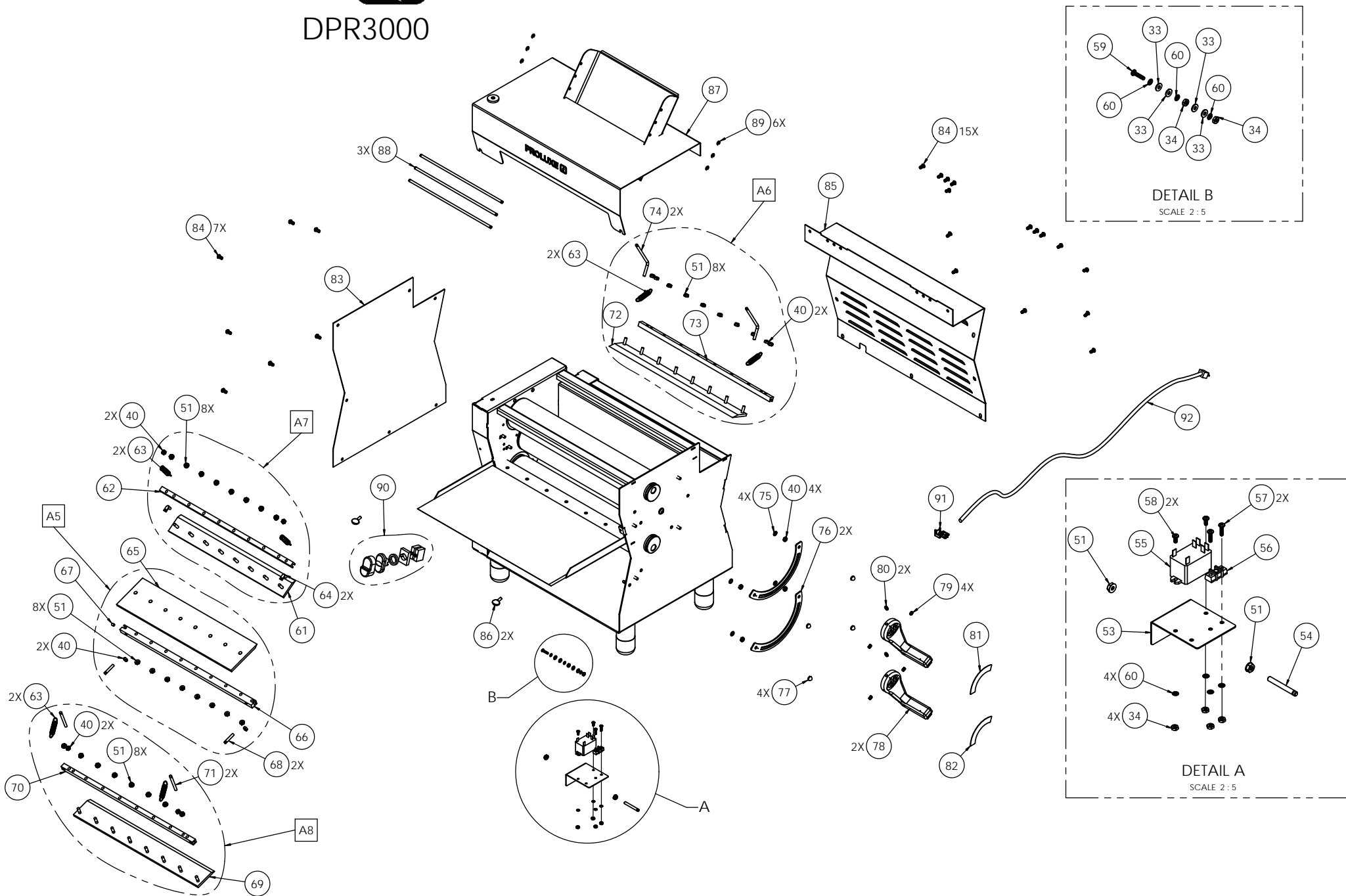
Tighten the screws on the safety shield.











## PARTS LIST FOR MODEL DPR3000

ITEM NO.	DESCRIPTION	DPR3000A (120V)	DPR3000MEA (120V)	DPR3000B (240V)	QTY.
1	ADJUSTABLE LEG	<a href="#">1101097091</a>	1101097091ME	<a href="#">1101097091</a>	4
2	DOUGH ROLLER WELDING ASSEMBLY	11017457610	11017457610	11017457610	1
3	RUBBER FOOT	<a href="#">1101097096</a>	<a href="#">1101097096</a>	<a href="#">1101097096</a>	4
4	PAD, VIBRATION DAMPENING	1101745768001	1101745768001	1101745768001	1
5	MOTOR BASE	<a href="#">110623006</a>	<a href="#">110623006</a>	<a href="#">110623006</a>	1
6	GEAR MOTOR ASSEMBLY 120 VOLT US MOTOR	<a href="#">1101097134</a>	<a href="#">1101097134</a>	<a href="#">1101097134</a>	1
7	WASHER, SAE 5/16	<a href="#">WSAE516</a>	<a href="#">WSAE516</a>	<a href="#">WSAE516</a>	9
8	WASHER, LOCK 5/16	<a href="#">WL516</a>	<a href="#">WL516</a>	<a href="#">WL516</a>	4
9	HEX BOLT 5/16-18 X 3/4 STAINLESS STEEL	<a href="#">BH5161834S</a>	<a href="#">BH5161834S</a>	<a href="#">BH5161834S</a>	4
10	GROMMET	<a href="#">110969116</a>	<a href="#">110969116</a>	<a href="#">110969116</a>	2
11	WASHER, LOCK 3/8	<a href="#">WL38</a>	<a href="#">WL38</a>	<a href="#">WL38</a>	4
12	WASHER, SAE 3/8	<a href="#">WSAE38</a>	<a href="#">WSAE38</a>	<a href="#">WSAE38</a>	4
13	HEX BOLT 3/8-16 X 1 STAINLESS STEEL	<a href="#">BH38161S</a>	<a href="#">BH38161S</a>	<a href="#">BH38161S</a>	4
14	THREADED SPACER	<a href="#">1101097074</a>	<a href="#">1101097074</a>	<a href="#">1101097074</a>	2
15	WASHER, CUT 5/16	<a href="#">WC516</a>	<a href="#">WC516</a>	<a href="#">WC516</a>	5
16	SCREW, BUTTON HEAD 5/16-18 X 3/4	<a href="#">SB5161834</a>	<a href="#">SB5161834</a>	<a href="#">SB5161834</a>	6
17	HEX COUPLING 5/16-18 X 1-1/8	<a href="#">1101097094</a>	<a href="#">1101097094</a>	<a href="#">1101097094</a>	4
18	CONNECTOR, 1/2" MALE X 3/8" CLAMP	<a href="#">100455167</a>	<a href="#">100455167</a>	<a href="#">100455167</a>	1
19	TOP ROLLER SUB ASSEMBLY	<a href="#">1101097021</a>	<a href="#">1101097021</a>	<a href="#">1101097021</a>	3
20	DOUBLE SEALED BEARING	<a href="#">1101097026</a>	<a href="#">1101097026</a>	<a href="#">1101097026</a>	6
21	TOP ROLLER BRACKET	<a href="#">1101097023</a>	<a href="#">1101097023</a>	<a href="#">1101097023</a>	1
22	PLASTIC GUARD	1101097103	1101097103	1101097103	3
23	PULLEY, ROLLER UPPER AND LOWER	1101097127	1101097127	1101097127	2
24	LEFT SIDE CAM	<a href="#">1101097030</a>	<a href="#">1101097030</a>	<a href="#">1101097030</a>	2
25	RIGHT SIDE CAM	<a href="#">1101097029</a>	<a href="#">1101097029</a>	<a href="#">1101097029</a>	2
26	PIN, ROLL 3/16 X 1-1/4	<a href="#">PR316114</a>	<a href="#">PR316114</a>	<a href="#">PR316114</a>	4
27	UPPER & LOWER ROLLER SHAFT	<a href="#">1101097027</a>	<a href="#">1101097027</a>	<a href="#">1101097027</a>	2
28	MIDDLE ROLLER SHAFT	<a href="#">1101097033</a>	<a href="#">1101097033</a>	<a href="#">1101097033</a>	1
29	MIDDLE ROLLER BRACKET ASSEMBLY	<a href="#">1101097034</a>	<a href="#">1101097034</a>	<a href="#">1101097034</a>	1
30	PULLEY, MIDDLE ROLLER	1101097126	1101097126	1101097126	1
31	MIDDLE ROLLER SPACER	<a href="#">1101097105</a>	<a href="#">1101097105</a>	<a href="#">1101097105</a>	2
32	BOTTOM ROLLER BRACKET	<a href="#">1101097036</a>	<a href="#">1101097036</a>	<a href="#">1101097036</a>	1
33	WASHER, SAE #8	<a href="#">WSAE8</a>	<a href="#">WSAE8</a>	<a href="#">WSAE8</a>	10
34	NUT, HEX 8-32	<a href="#">NH832</a>	<a href="#">NH832</a>	<a href="#">NH832</a>	12
35	PULLEY, MOTOR	<a href="#">1101097125</a>	<a href="#">1101097125</a>	<a href="#">1101097125</a>	1
36	SCREW, SET 1/4-20 X 3/4	<a href="#">SST142034</a>	<a href="#">SST142034</a>	<a href="#">SST142034</a>	1
37	PULLEY, IDLER ASEMBLY	<a href="#">1101097124</a>	<a href="#">1101097124</a>	<a href="#">1101097124</a>	1

## PARTS LIST FOR MODEL DPR3000

38	PULLEY, IDLER TENSIONER ASSEMBLY	1101097123	1101097123	1101097123	1
39	TENSIONER BAR ASSEMBLY	1101097009	1101097009	1101097009	1
40	NUT, HEX 1/4-20	NH1420	NH1420	NH1420	13
41	SCREW, BUTTON HEAD 1/4-20 X 1/2	SB142012	SB142012	SB142012	1
42	SPRING, EXTENSION 1/2" O.D. X 3.0" LONG X 1/16" THICK	SE123116	SE123116	SE123116	1
43	BELT, V-TYPE 1/2" WIDE X 5/16" THICK X 48" LONG	BV1251648	BV1251648	BV1251648	1
44	BELT GUARD	11017457604	11017457604	11017457604	1
45	PROXIMITY SWITCH SENSOR	1101097082	1101097082	1101097082	2
46	NUT, HEX 4-40	NH440	NH440	NH440	4
47	SCREW, ROUND HEAD 4-40 X 1/2"	SR44012	SR44012	SR44012	2
48	SCREW, BUTTON HEAD 5/16-18 X 1/2	SB5161812	SB5161812	SB5161812	4
49	IN-TAKE TRAY SHELF SUB ASSEMBLY	1101097037	1101097037	1101097037	1
50	INTAKE TRAY	1101097040	1101097040	1101097040	1
51	NUT, SERRATED FLANGED HEX, 1/4-20	NHSF1420	NHSF1420	NHSF1420	41
52	SCREW, SHEET METAL #8 X 5/16, HEX WASHER HD SLOTTED	SMS8516	SMS8516	SMS8516	6
53	RELAY BRACKET	1101097080	1101097080	1101097080	1
54	PIN, TENSION SPRING	1101097079	1101097079	1101097079	1
55	RELAY, TERMS 30A 250V	1101097081	1101097081	1101097081	1
56	TERMINAL, BLOCK #1 SINGLE	6991	6991	6991	1
57	SCREW, PAN HEAD PHILLIPS 8-32 X 5/8	SP83258	SP83258	SP83258	2
58	SCREW, PAN HEAD PHILLIPS 8-32 X 3/8	SP83238	SP83238	SP83238	2
59	SCREW, PAN HEAD PHILLIPS 8-32 X 3/4 STAINLESS STEEL	SP83234S	SP83234S	SP83234S	1
60	WASHER, INTERNAL LOCK #8	WLIT8	WLIT8	WLIT8	7
61	TOP FRONT SCRAPER #2 SUB ASSEMBLY	1101097056	1101097056	1101097056	1
62	TOP FRONT SCRAPER #2 BAR	1101097057	1101097057	1101097057	1
63	EXTENSION SPRING SCRAPER	1101097052	1101097052	1101097052	6
64	ANGULAR WELD STUD MACHINED	1101097101	1101097101	1101097101	2
65	MIDDLE FRONT SCRAPER #3 SUB ASSEMBLY	1101097062	1101097062	1101097062	1
66	MIDDLE FRONT SCRAPER #3 BAR	1101097063	1101097063	1101097063	1
67	MAGNET DISC 1/4" DIA	110601065	110601065	110601065	1
68	MIDDLE FRONT SCRAPER #3 SPRING PIN	1101097064	1101097064	1101097064	2
69	BOTTOM FRONT SCRAPER #4 SUB ASSEMBLY	1101097069	1101097069	1101097069	1
70	BOTTOM FRONT SCRAPER #4 BAR	1101097070	1101097070	1101097070	1
71	SPRING PIN FOR #4 SCRAPER	1101097071	1101097071	1101097071	2
72	BACK SCRAPER #1 SUB ASSEMBLY	1101097049	1101097049	1101097049	1
73	BACK SCRAPER #1 BAR	1101097050	1101097050	1101097050	1
74	BACK SCRAPER #1 SPRING PIN	1101097051	1101097051	1101097051	2
75	WASHER, SAE 1/4	WSAE14	WSAE14	WSAE14	4
76	ADJUSTMENT PLATE	1101097119	1101097119	1101097119	2

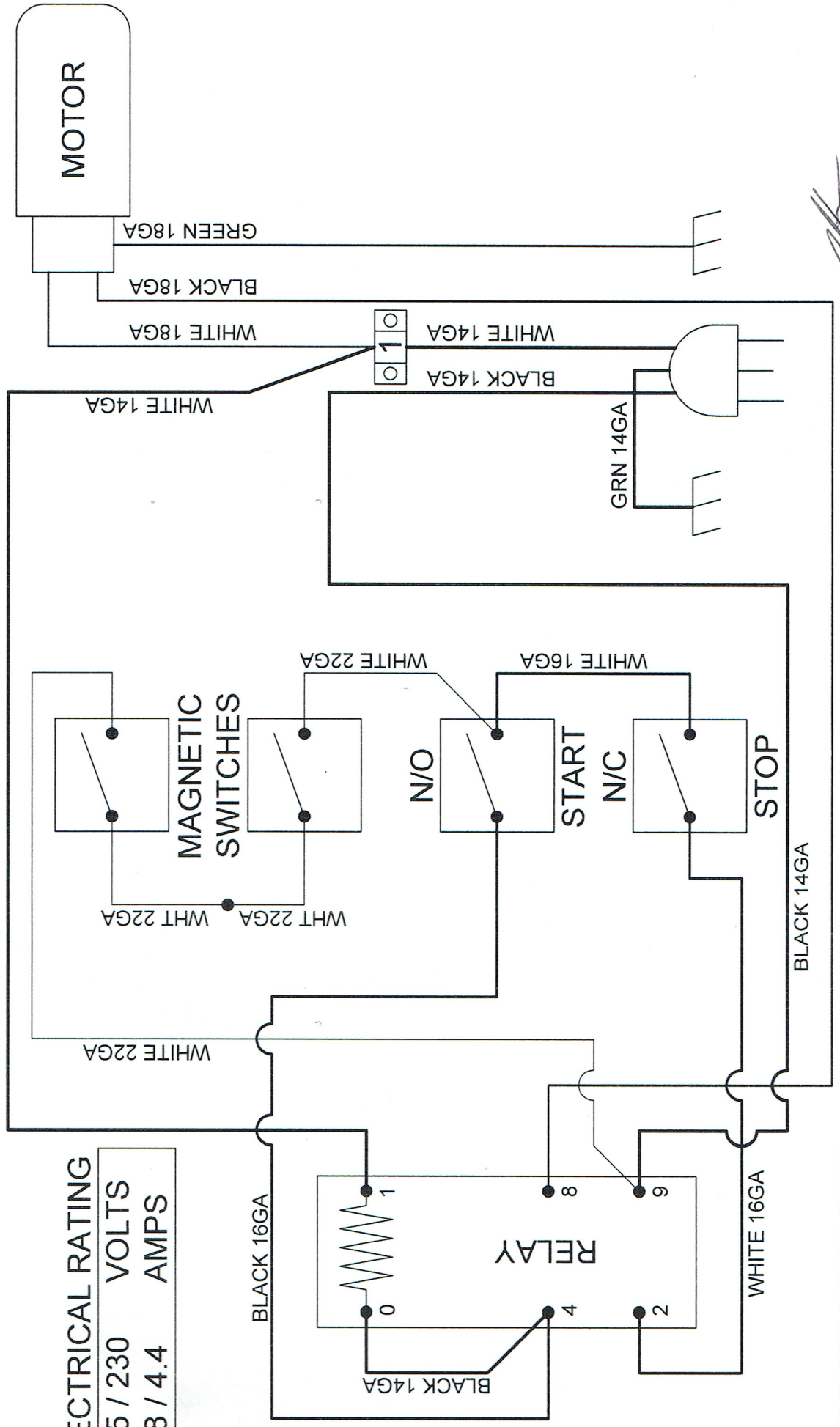
## PARTS LIST FOR MODEL DPR3000

77	NUT, ACCORN 1/4-20 NICKLE PLATE	NA1420	NA1420	NA1420	4
78	HANDLE ADJUSTMENT ASSEMBLY	1101097118	1101097118	1101097118	2
79	SCREW, SET 1/4-20 X 3/8	SST142038	SST142038	SST142038	4
80	SCREW, SET 1/4-20 X 1/2	SST142012	SST142012	SST142012	2
81	TOP ROLLER GAGE DECAL	DP110109720T	DP110109720T	DP110109720T	1
82	BOTTOM ROLLER GAGE DECAL	DP110109720B	DP110109720B	DP110109720B	1
83	COVER, LEFT SIDE	11017457602	11017457602	11017457602	1
84	SCREW, BUTTON HEAD 1/4-20 X 1/2 STAINLESS STEEL	SB142012S	SB142012S	SB142012S	22
85	BACK COVER	1101097131	1101097131	1101097131	1
86	THUMB SCREW WITH SHOULDER	1101097086	1101097086	1101097086	2
87	SAFETY COVER ASSEMBLY	11017457603	11017457603	11017457603	1
88	SAFETY BAR	1101097044	1101097044	1101097044	3
89	E-CLIP 1/4"	1101097045	1101097045	1101097045	6
90	START-STOP COMBINATION BUTTON, W/EXTENDED STOP	1101097083	1101097083	1101097083	1
91	STRAIN RELIEF	MPS90014	MPS90014	MPS90014	1
92	POWER CORD	110969174	110969174	110969175	1
93	HARNESS, MAGNETIC START/STOP	1101745765084	1101745765084	1101745765084	1
94	CABLE SOOW 16/2	1101745765006	1101745765006	1101745765006	2.3 FT
95	CABLE 14/3 BLACK SJOW	1101745765000	1101745765000	1101745765000	2 FT
96	TIE CABLE 4" BLACK	CT003E	CT003E	CT003E	6
97	CABLE TIE HOLDER ADHESIVE BACK	1101169113	1101169113	1101169113	5
98	DECAL DISCONNECT POWER, SUPPLY	DP1101097098	DP1101097098	DP1101097098	1
99	MANUAL DPR3000	MDPR3000	MDPR3000	MDPR3000	1
A1	GEAR MOTOR KIT ASSEMBLY	110579120	110579120	110579120	1
A2	ROLLER, TOP ASSEMBLY	1101097129	1101097129	1101097129	1
A3	ROLLER, MIDDLE ASSEMBLY	1101097130	1101097130	1101097130	1
A4	ROLLER, BOTTOM ASSEMBLY	1101097128	1101097128	1101097128	1
A5	MIDDLE FRONT SCRAPER, #3 ASSEMBLY	1101097059	1101097059	1101097059	1
A6	BACK SCRAPER, #1 ASSEMBLY	1101097046	1101097046	1101097046	1
A7	TOP FRONT SCRAPER, #2 ASSEMBLY	1101097053	1101097053	1101097053	1
A8	BOTTOM FRONT SCRAPER, #4 ASSEMBLY	1101097066	1101097066	1101097066	1

# **DOUGHPRO**

## MODEL DPR3000 / DPR2000 WIRE DIAGRAM

ELECTRICAL RATING	
115 / 230	VOLTS
8.8 / 4.4	AMPS





# PROLUXE

## Warranty & Return Policy

**Proluxe** warrants all products manufactured by it against defects in workmanship or materials from the date of purchase for a period of (1) year on parts and labor. **This warranty applies to only equipment purchased and used in the United States.** Warranty period shall begin when equipment ships. Warranty travel shall only be covered for 60 miles. Limited lifetime warranty on heating elements.

**ALL WARRANTY SERVICE CALLS MUST BE APPROVED BY PROLUXE. IF THIS PROCEDURE IS NOT FOLLOWED, WARRANTY SERVICE WILL NOT BE COVERED. WARRANTY SERVICE WILL BE PAID ON STRAIGHT TIME, OVERTIME WILL NOT BE COVERED.**

### **Exclusions:**

- 1. WOOD / GAS FIRED OVENS:** PROLUXE warranty applies to the main body of the oven being steel / refractory and insulation shall be free from defects in materials and workmanship for a period of four years from the date of purchase. The gas equipment shall be free from defects in materials and workmanship for a period of one (1) year from the date of purchase. Lifetime warranty against cracks on oven floor.
- 2. Air compressors are excluded from this warranty,** but PROLUXE may act as a warranty expeditor in certain instances regarding these compressors. The air compressor manufacturer provides a limited warranty and a copy of this warranty is furnished with all compressors sold by PROLUXE. For prompt handling of compressor warranty claims the instructions of the compressor manufacturer must be adhered to.
- 3. Equipment built to special order as well as accessories** cannot be canceled and are not returnable unless defective within the terms of this warranty.
- 4. In no event shall PROLUXE be liable for consequential damages arising out of the failure of any of its products if operated improperly, altered or caused by normal wear or damage by operator abuse.**
- 5. BC2325 pedestal warranty disclaimer:** Pedestals shall only be covered under warranty if they have been cleaned using the factory approved cleaning method. Cracked or damaged pedestals must be inspected by the factory before warranty is authorized.
- 6. Limited lifetime warranty on heating elements:** If replacement is needed, Proluxe will send the new part at no charge but labor will not be covered unless the unit is still under the 1 year manufacture warranty.

### **Returned Merchandise Policy:**

Should it become necessary to return any of the company's products, the following instructions must be adhered to: First, contact our customer service department for approval and a return authorization number. *Please have the serial number of your item available at that time.* All merchandise must be shipped *freight prepaid* by customer or service agency. Subject to the inspection of the product by the company, a restocking charge of 20% of the Net purchased price paid to PROLUXE will be assessed. Merchandise may not be returned for credit without *prior written approval* of PROLUXE. Collect shipments *will not* be accepted. No returns after 60 days of original shipment date on machines. Purchased parts may not be returned after 30 days.

If upon inspection by PROLUXE or its authorized agent it is determined the equipment has not been used in an appropriate manner, has been modified, or has not been properly maintained, or has been subject to misuse, misapplication, neglect, abuse, accident, unauthorized modification, damage during transit, delivery, fire, flood, act or war, riot or act of God, then this warranty shall be deemed null and void.

### **Terms & Conditions:**

- Prices indicated in the PRICE LIST are suggested retail prices and are shown in U.S. DOLLARS.
- Terms of Payment: NET 30 days.
- NEW ACCOUNTS:** Satisfactory credit information must be provided before open account status can be extended. Unless agreed otherwise, all shipments will be made C.O.D., CASH IN ADVANCE.
- PRICING:** Prices, specifications, model numbers, capacities and accessories are subject to change without notice.
- FREIGHT / ROUTING:** Method of shipment will be determined by PROLUXE unless otherwise advised by PURCHASER.
- DAMAGED CLAIMS:** All merchandise shipped at purchaser's risk. Inspection must be made by purchaser at time goods are received. If goods are damaged, the PURCHASER shall request that the agent of the transportation company make a written notation on the proper shipping documents immediately and then file a claim for damage. **GOODS DAMAGED IN SHIPMENT ARE NOT RETURNABLE.**
- RETURNS:** Machines may not be returned after 60 days. Purchased parts may not be returned after 30 days. A restocking fee of 20% will be assessed on non-warranty returns.
- TAXES:** Prices indicated herein DO NOT include State, Federal, Local or foreign taxes or duties, nor do they include fees, permits, insurance or other levies, all of which are the responsibility of the purchaser.
- All orders are subject to acceptance by PROLUXE.
- Possession of this price list shall not be considered an offer to sell.